

# Selection Form

# Rack and Pinion

Requested Date

Please check the corresponding item in

### Select gearmotor series

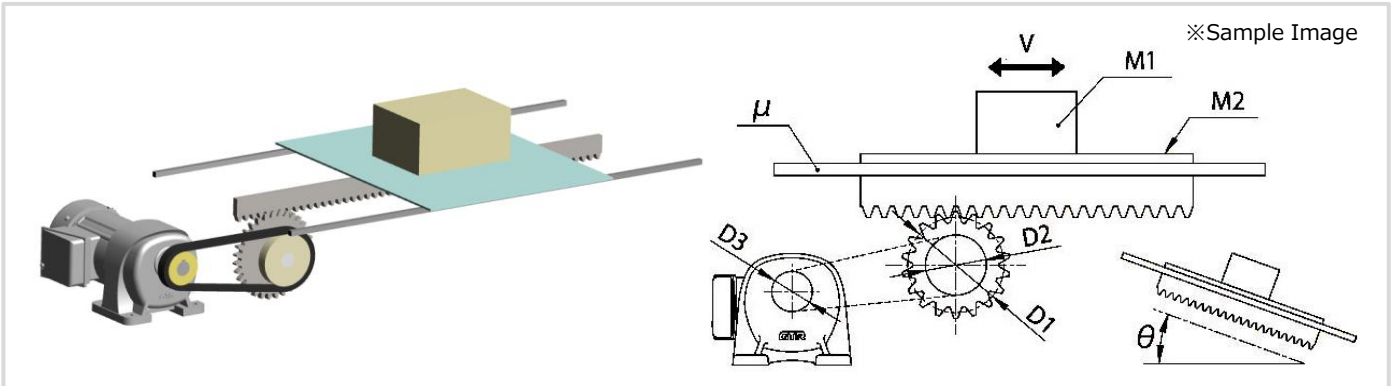
 ※If you are unable to make a selection, please leave it blank.

- Induction Gearmotor(MID series / MINI series)
  - IPM Gearmotor(Speed Control Type)
  - Battery-powered Type Gearmotor(DC12V/24V/48V)
  - Requested Model {  }
- ※If you already know the mode number, please enter that in (      ).

### Output shaft type selection

 ※If you are unable to make a selection, please leave it blank.

- Parallel Shaft (G3, G type)
- Right Angle Shaft (H2, H type)
- Hollow Shaft (FS, F2, F3 type)
- Solid Shaft (FF, F2, F3 type)



### Operating Condition

 ※Leave the field blank if you are not sure

- Moving speed  $V =$   mm/s
  - Weight of the Work  $M1 =$   kg
  - Weight of Rack and Table  $M2 =$   kg
  - P.C.D. of pinion  $D1 =$   mm
  - P.C.D. of Driven Side Sprocket (Timing Pulley, Gear)  $D2 =$   mm
  - P.C.D. of Drive Side Sprocket (Timing Pulley, Gear)  $D3 =$   mm  
※Not required for direct coupling
  - Inclination Angle  $\theta =$   °
  - Friction Coefficient of the the Guide  $\mu =$
  - Repeated Stopping Accuracy ※Enter only if necessary.  
 $\pm$   mm(travel distance equivalent)
  - Power  3-phase  1-phase  Battery(DC)  
 V  Hz
  - Start/Stop Frequency  Times /  Minute  Hour  Day
  - Brake  with  without
  - Inverter  with  without  
※Check this box only for induction gearmotors.
  - Other operating conditions such as cycle time
- 

### Customer Information

CS center Technical Support Desk  
E-mail : tech-cs@nissei-gtr.co.jp

Company Name _____	Address _____
Department _____	
Job Title _____	Phone Number _____
Name _____	FAX Number _____
	E-mail _____
Purpose of Selection <input type="checkbox"/> New Facility <input type="checkbox"/> Replacement <input type="checkbox"/> Change model <input type="checkbox"/> Others{ <span style="border: 1px solid black; display: inline-block; width: 100px; height: 15px; vertical-align: middle;"></span> }	
Type of Industry <input type="checkbox"/> Conveyor <input type="checkbox"/> Food Processing Machine <input type="checkbox"/> Machine for Agriculture or Fisheries <input type="checkbox"/> Tooling Machine <input type="checkbox"/> Packaging Machine <input type="checkbox"/> Printing·Paper Converting Machine <input type="checkbox"/> Special Machine <input type="checkbox"/> Construction Machine <input type="checkbox"/> Electrical and Electric Equipment <input type="checkbox"/> Medical Equipment <input type="checkbox"/> Design Office <input type="checkbox"/> Trading Company <input type="checkbox"/> Others{ <span style="border: 1px solid black; display: inline-block; width: 100px; height: 15px; vertical-align: middle;"></span> }	

Notice Please note that we may send you separate message after registering your information we have obtained through customer inquiries.  
Please let us know anytime if you want us to delete your information from our system.